

1

2

3

4

Unit : mm

A

A

B

B

C

C

D

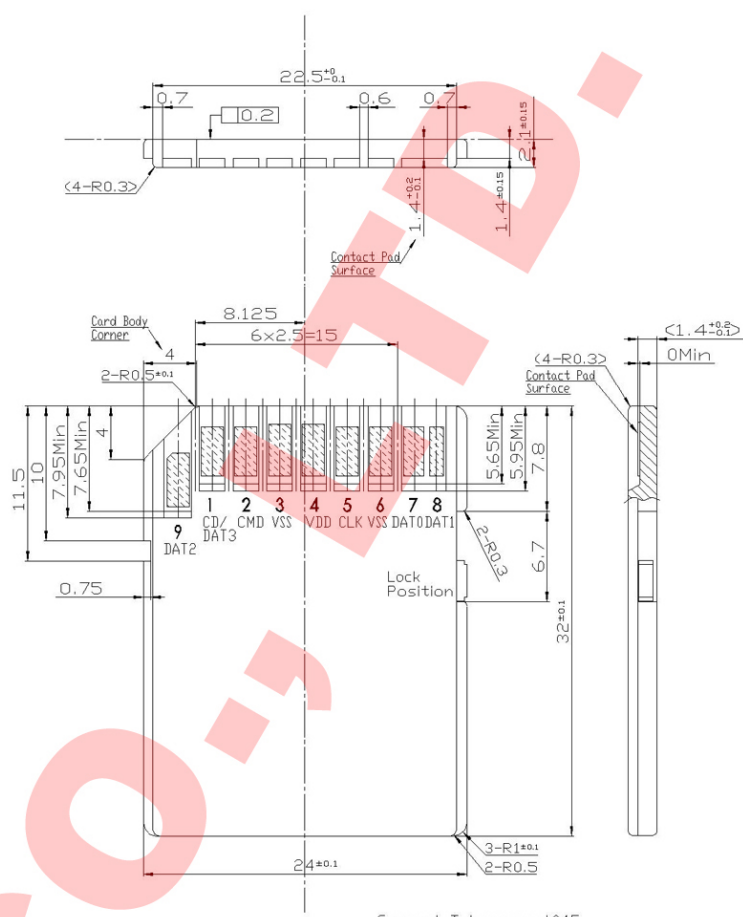
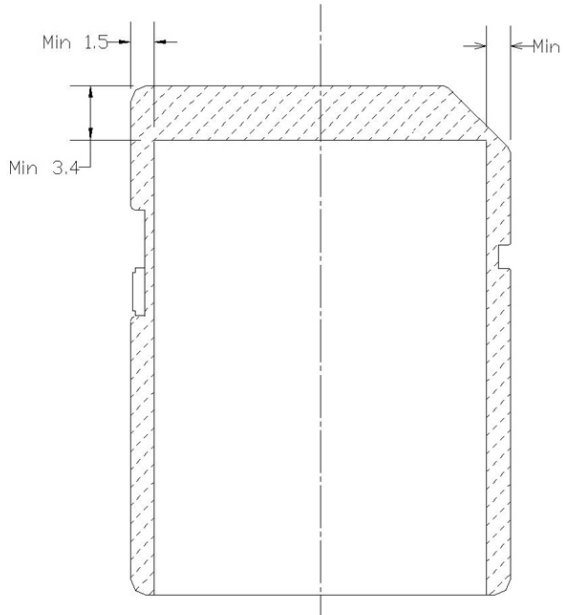
D

E

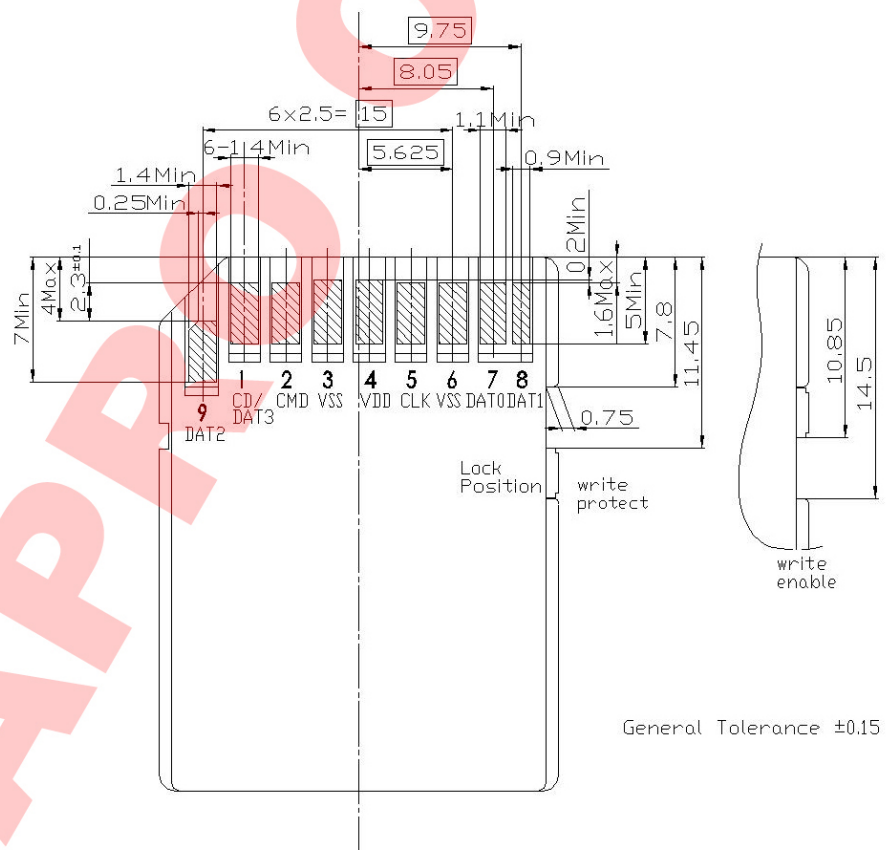
E

F

F



General Tolerance ±0.15



General Tolerance ±0.15

APRO Co., Ltd. 先勤科技股份有限公司		Version : 1.1	Page : 1/1	
SD & SDHC Memory Card		Designed by JAMES HSU	Approved by Tanja Hsu	File name
			Date 2014/08/01	Scale

1

4