

A

B

C

D

E

F

A

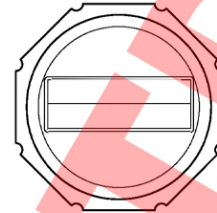
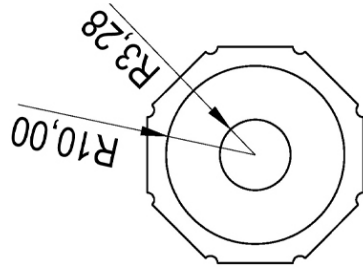
B

C

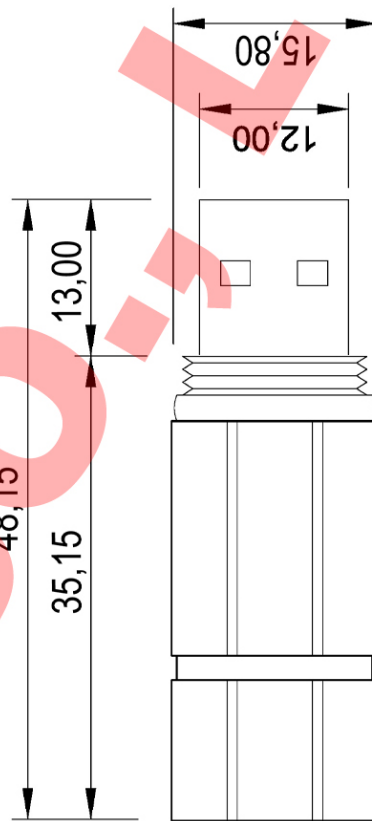
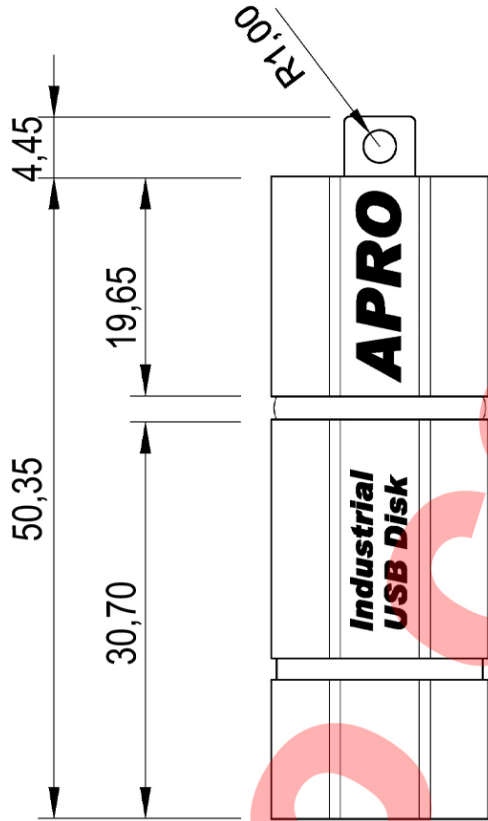
D

E

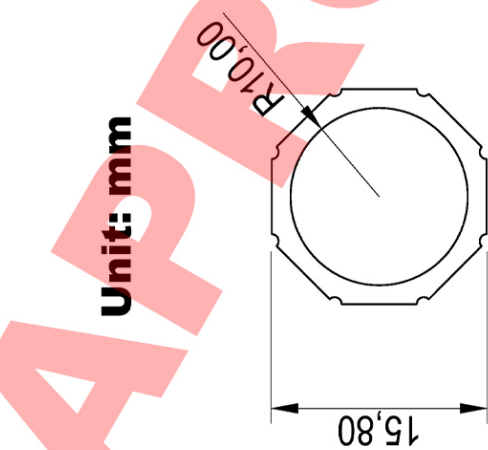
F



Top Side



Front Side



Buttom Side

Unit: mm

APRO

APRO Co., Ltd. 先勤科技股份有限公司		Version : 1.0	Page : 1/1	
HAMMER Series Industrial Rugged Metal UFD G4 Dimension	Designed by JAMES HSU	Approved by Tanja Hsu	File name	Date 2011/04/09
				Scale