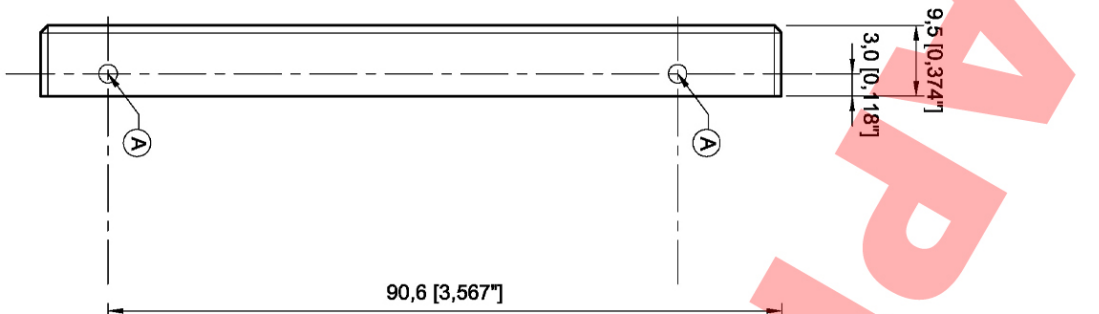
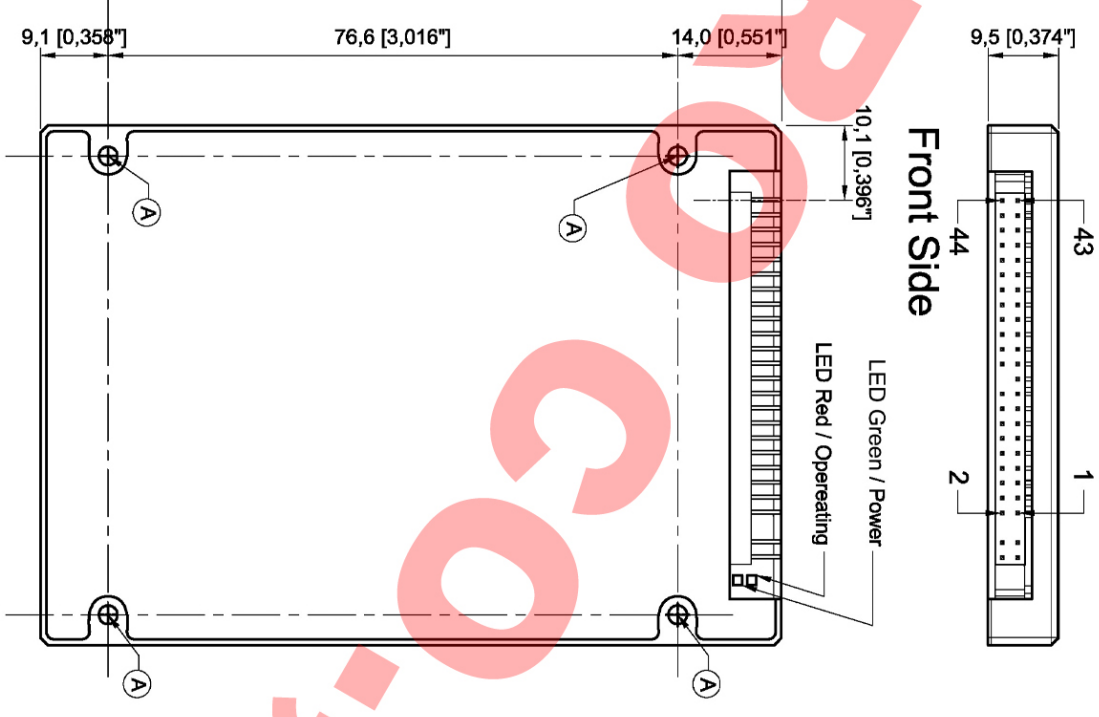


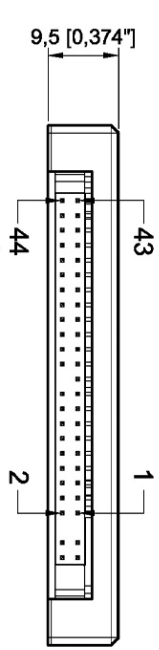
Right/Left Side



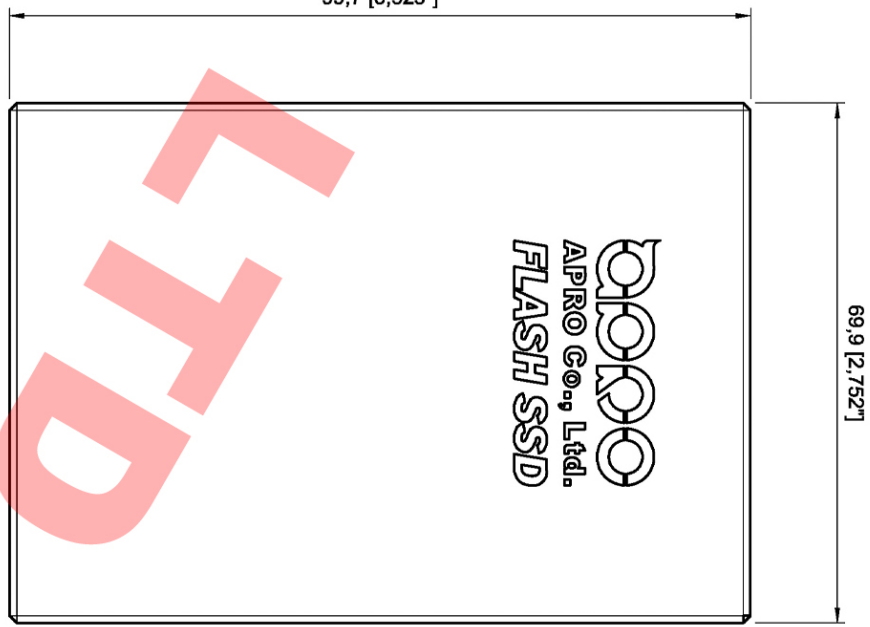
Bottom Side



Front Side



Top Side



Mark - A  
Mounting hole  
O = 2.6mm (6.5 max. depth)  
Screw M3-6H x 4mm (max. penetration)

Unit : mm [inch]

<b>APRO Co., Ltd.</b> 先勤科技股份有限公司		Version : <b>2.2</b>	Page : <b>1/1</b>	
<b>HERMIT Series</b> <b>2.5" PATA SSD Dimension</b>	Designed by <b>JAMES HSU</b>	Approved by <b>Tanja Hsu</b>	File name	Date <b>2010/08/26</b>
				Scale